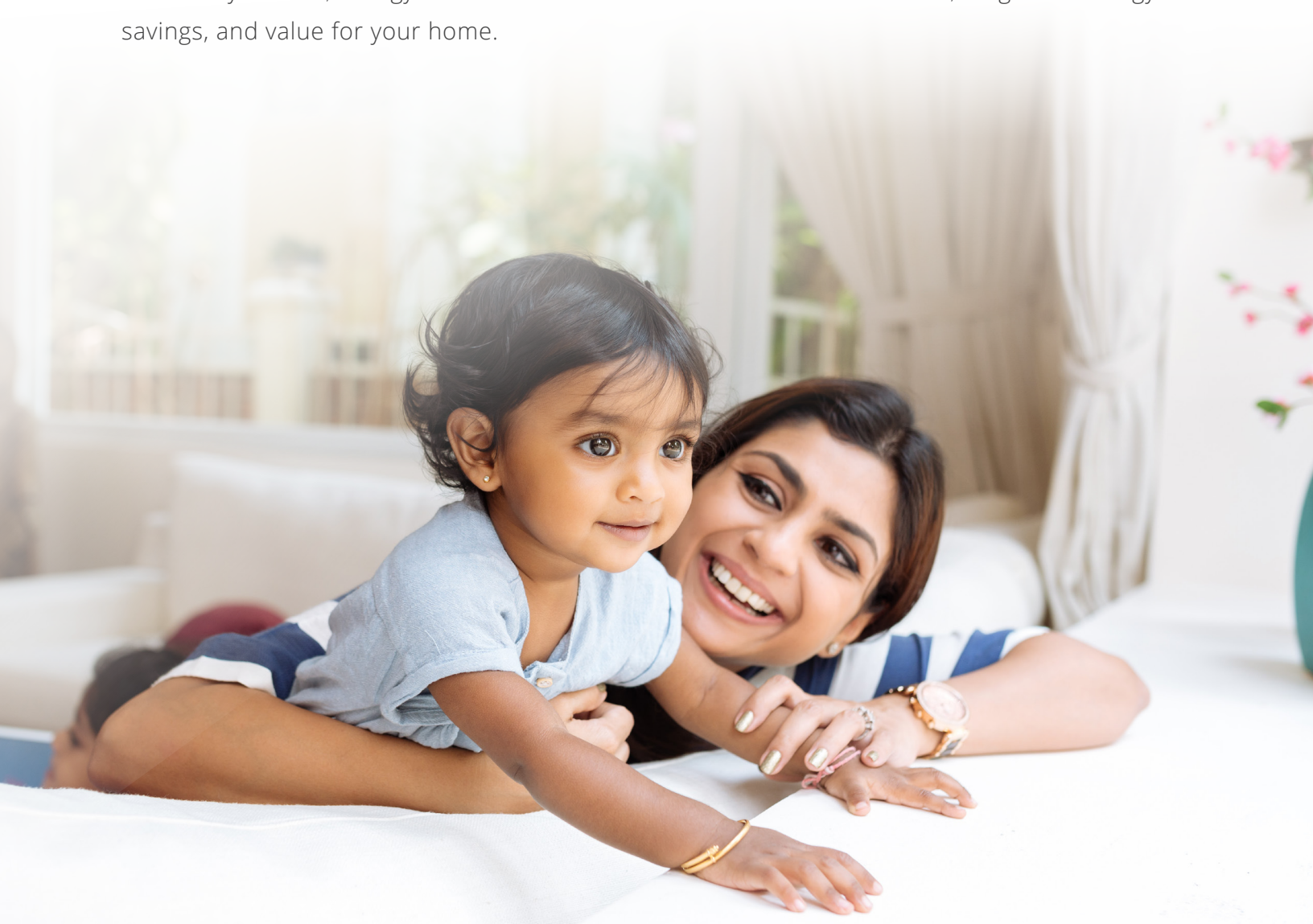


# Come Home to Clear Comfort

**Energy-efficient windows can be a wonderful addition to your home.**

Beautifully crafted, energy-efficient windows are an investment in comfort, long-term energy savings, and value for your home.



**Rebates  
Available**

Energy-efficient windows are one of many components that work together to make your home a better home.

**Ask a qualified contractor how energy-efficient windows can transform your home!**

# Energy-efficient Windows

Beautifully crafted, energy-efficient windows save you money on utility bills, reduce condensation, decrease outside noise, protect furniture from sun damage, and provide improved temperature regulation during summer and winter.

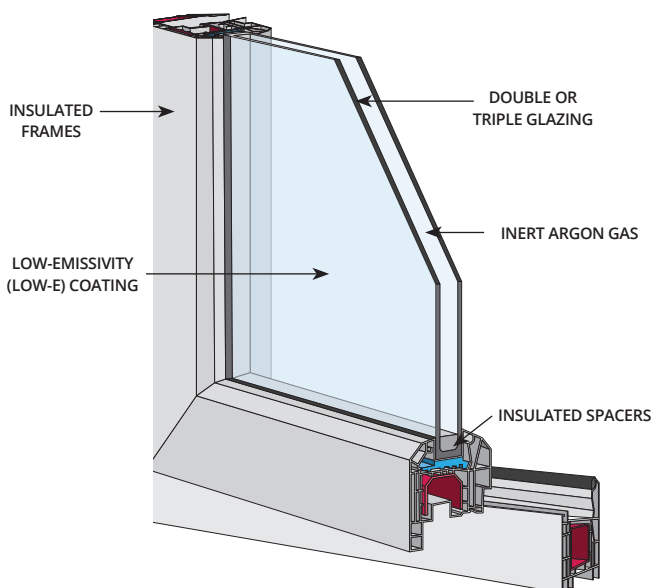
## What are the Benefits?

- **Increased comfort:** Improved temperature regulation throughout the year, keeping you cooler in the summer and warmer in the winter.
- **Peace and Quiet:** Double (or triple) pane windows better insulate your home from exterior noise.
- **Protect your interior:** Furniture, flooring, and art is protected from harmful UV radiation.
- **Increased home value:** Efficient, quality windows improve the aesthetics and increase the value of your home.
- **Save energy and money:** Lower utility bills through energy savings.

## How does it Work?

The following advances in technology mean that energy-efficient windows are more efficient than ever:

- **Low-emissivity (low-E) coating** reduces the ability of heat to pass through them preventing heat from escaping your home in the winter and keeping cooler air in your home in the summer.
- **Double or triple glazing** improves efficiency while reducing exterior noise.
- **Inert argon gas** between the window panes prevents heat transfer and minimizes condensation.
- **Insulated spacers and frames** also prevent heat loss.



## What are the Costs?

Energy-efficient windows may cost more than standard windows but they are much more efficient, will enhance your home comfort and can increase the resale value of your home. Prices vary greatly based on the number of windows required, size, type, material, warranty, quality of installation and manufacturer.

## The Right System for Your Home

Getting optimal performance from energy-efficient windows depends on more than just choosing the right type and style of window.

- **Consult with experts:** Ask your builder, renovator, or energy advisor how this feature could transform your home.
- **Buy as efficient as you can afford:** Look for high-efficient, low-e coated windows with a U-Factor at or below 1.22 (W/m<sup>2</sup>-K) to ensure a quality product and to access rebates.
- **Hire professional installers:** The quality of the installation can have an enormous effect on window performance and home comfort. Hire experienced and professional contractors to ensure the best possible installation.
- **Maintain your windows:** Similar to servicing a vehicle, preventive maintenance is a good investment to minimize future problems. Undertake a thorough inspection of all window components (glass, frames and seals) every season looking for any signs of damage or condensation. Keep windows and surrounding wall areas clean. Consult the owner's manual and ask the installer for details.

## Rebates are Available

Combine provincial and federal programs for maximum rebates!

- **CleanBC Better Homes**  
[www.betterhomesbc.ca](http://www.betterhomesbc.ca)
- **Canada Greener Homes Grant**  
[www.canada.ca/greener-homes-grant/](http://www.canada.ca/greener-homes-grant/)